

1 phase, 2 wire, class 1, whole current ,Tamper proof, Time of Use, static Electricity meter conforming to IEC-62053-21/23 and IEC-62054. Designed for MTBF 200 years.

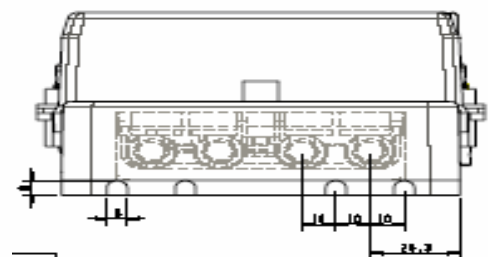
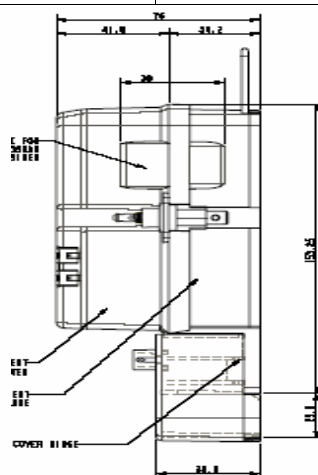
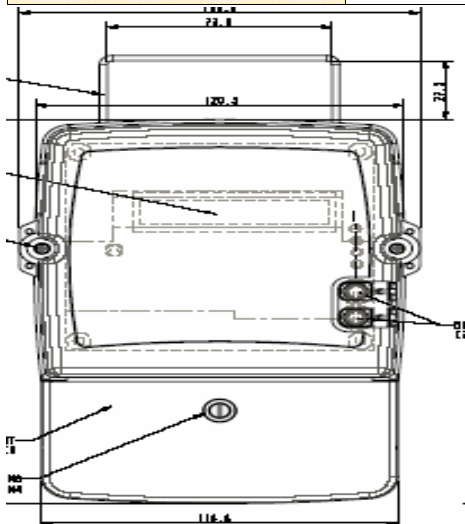
- **Measures & displays Currents of Both the elements (Phase & Neutral)**, rendering the meter tamper proof, enabling in situ diagnosis of wiring faults.
- **Extra ordinary Anti tamper features**
Current reversal, Earth tampers ,Phase/Neutral cut, Neutral Loop, Pure/Chopped DC injection in Phase/Neural circuit.
- **Phase/Neutral cut tamper**
Single wire deficient metering with assumptions, Registers energy even in the absence of incoming/outgoing Phase or Neutral wires.
- **High Energy resolution**, reduces energy loss due to power outage.
- **Extended immunity to disturbances** , Tested for very high values of EMHF radiations and magnetic fields
- **Measures Active energy, Apparent energy** ,Reactive Energy (optional) Maximum Demand kW, Maximum demand kVA ,True RMS Voltage , True RMS Phase Current, True RMS Neutral Current, Instantaneous signed Power Factor ,Instantaneous Frequency, Instantaneous Load.
- **Time of use metering**, Up to 8 configurable TOU slots & 8 tariffs, 3 types of days, 4 seasons, day-light saving etc in accordance with IEC 62054.
- **Optical port** Hardware compatible to IEC 62056 -21,With very high BAUD rate **9.6Kbps** resulting in a quick downloading of data.
- TOU function is supported by **factory calibrated RTC** with an accuracy of up to 3 minutes per year. RTC has a 32.768KHz crystal calibrated for stability better than ± 5 PPM
- Active , reactive (optional) LED Pulse outputs & Visual tamper indications
- **Stores 35 days Load profile** with kWh, average voltage & average current, for the integration period for integration period of 30 minutes.
- 6 months history of billing parameters
- Supporting Software. The product is shipped with an efficient **meter reading program** and a highly user friendly base station software **URJA** for METER data processing
- **Battery backup option** for meter reading in the event of power outage.



SPECIFICATIONS

Standards: IEC 62052-11, IEC 62053-21/23, IEC 62054, IS 13779:99

Voltage	Nominal Operating Range Burden	230V(50Hz), 240V(50Hz), 120V(60Hz) -30% to +20% of Vn Less than 8 VA/IW
Current	Ratings offered Burden	2.5-10A, 5-20A, 10-40A, 10-100A, (other values available on Request) Less than IVA
Frequency	Nominal Operating Range	50Hz, 60Hz -5% to +5% of f_n
LED Pulse outputs	Nominal	Active Energy Reactive Energy (Optional)
Temperature Range	Operating Storage	-10 to 55°C -25 to 70°C
Time Keeping	Type Accuracy Backup Time Backup Type	EPSON with Internal 32.768 kHz crystal Better than 3 minutes per year 10 years without power Lithium Ion battery
Data Storage		64 kilobytes of non volatile memory with a retention of minimum 20 years without power
Communications	Add-on options	Optical port hardware compatible to IEC 62056-21 Isolated RS232/RS485 for Remote Data Transfer Low power radio (433MHz/868MHz ISM band) Power line carrier communication (FSK 80kHz to 130 kHz) as per CENELAC
Tamper & Anomaly Detection		Phase/Neutral Missing, Current Reversal Tamper, current Unbalance, Magnetic Tamper detection, Current Bypass, Neutral Metering, Earth Load Tamper
Mechanical	Material Dimensions Weight	Poly carbonate (Full Transparent) 175mm L x 130.9mm W x 76mm H 0.880 kg approx.



Note : Due to continuous design developments, specifications may change without notice